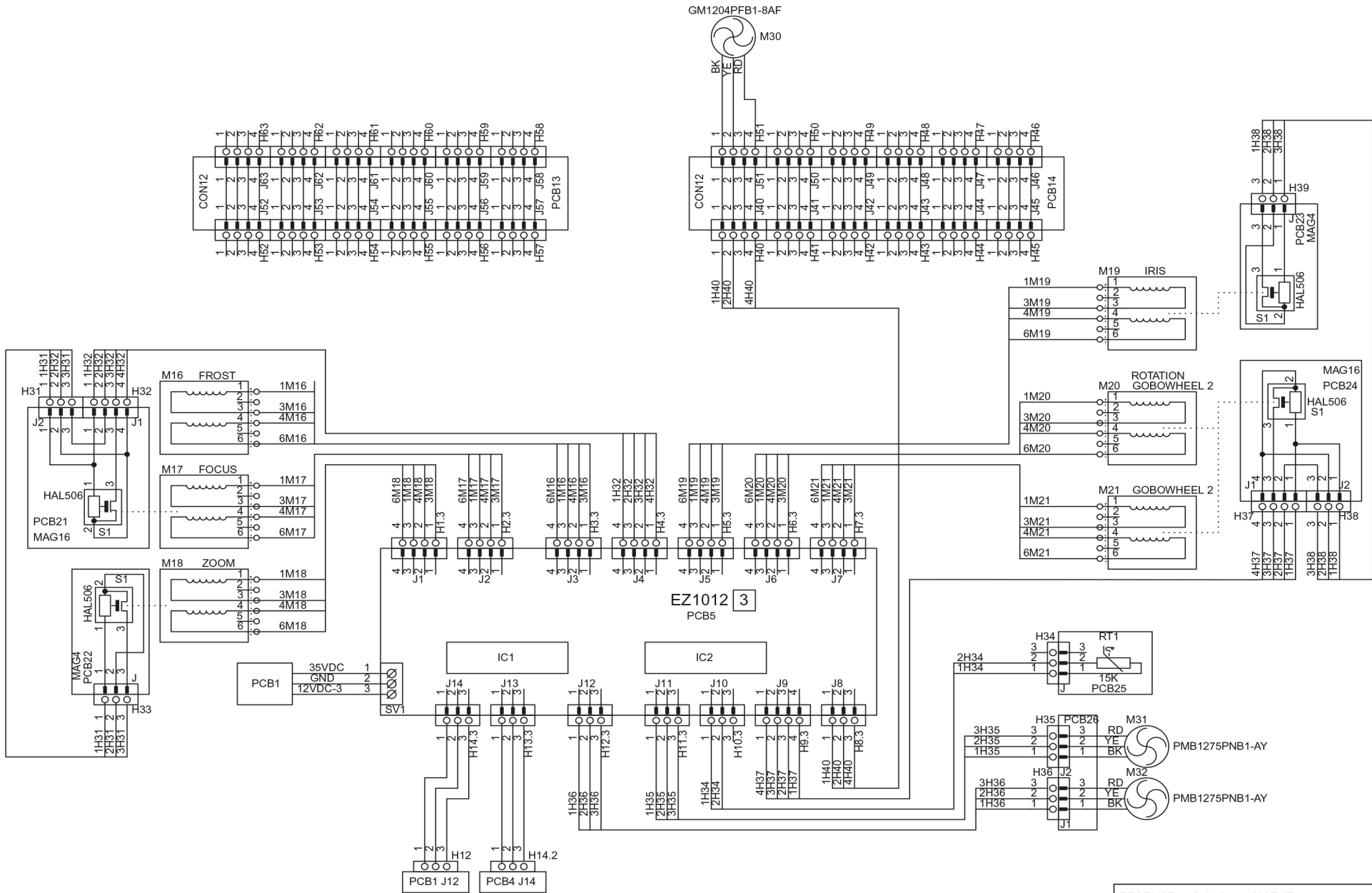
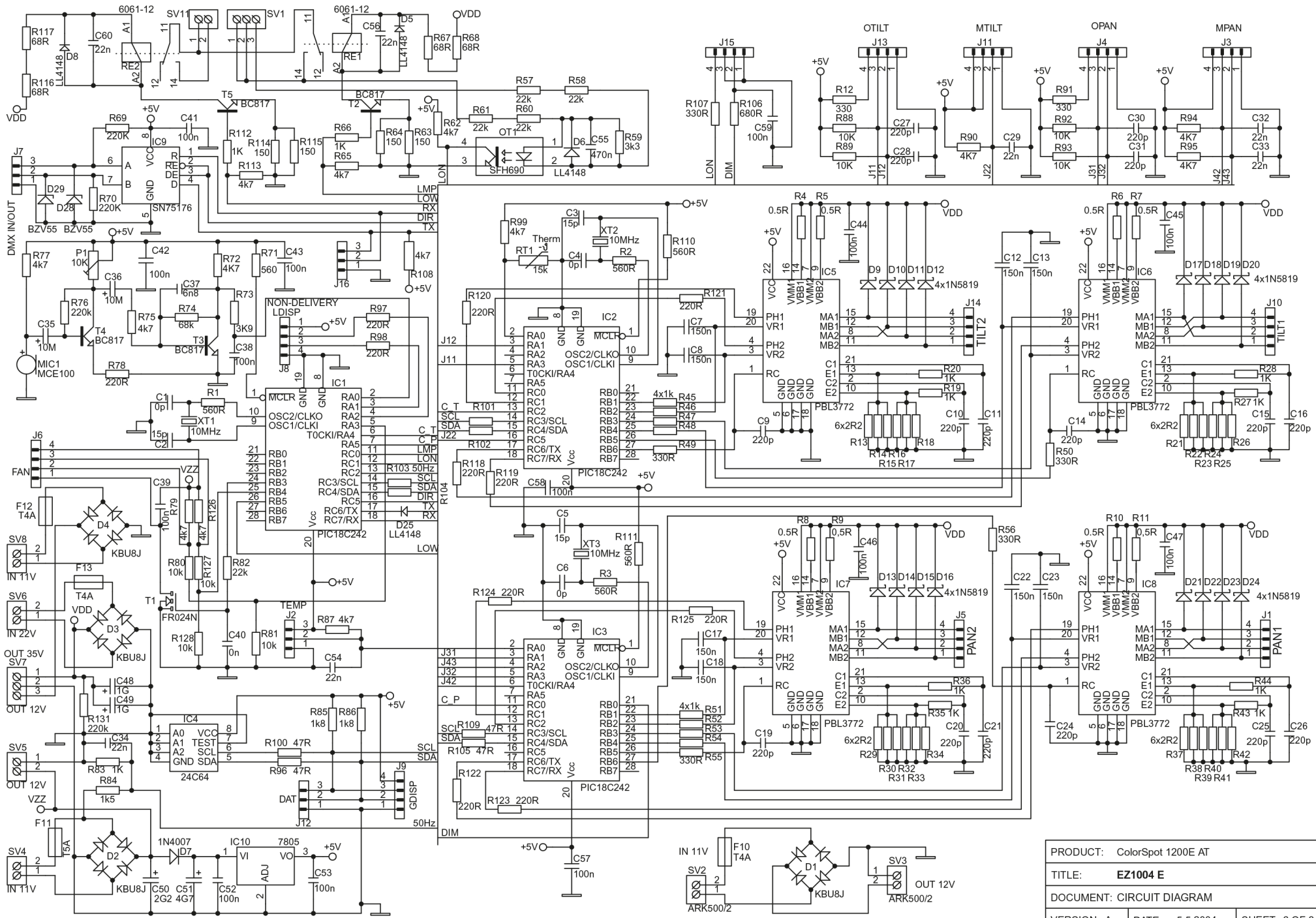


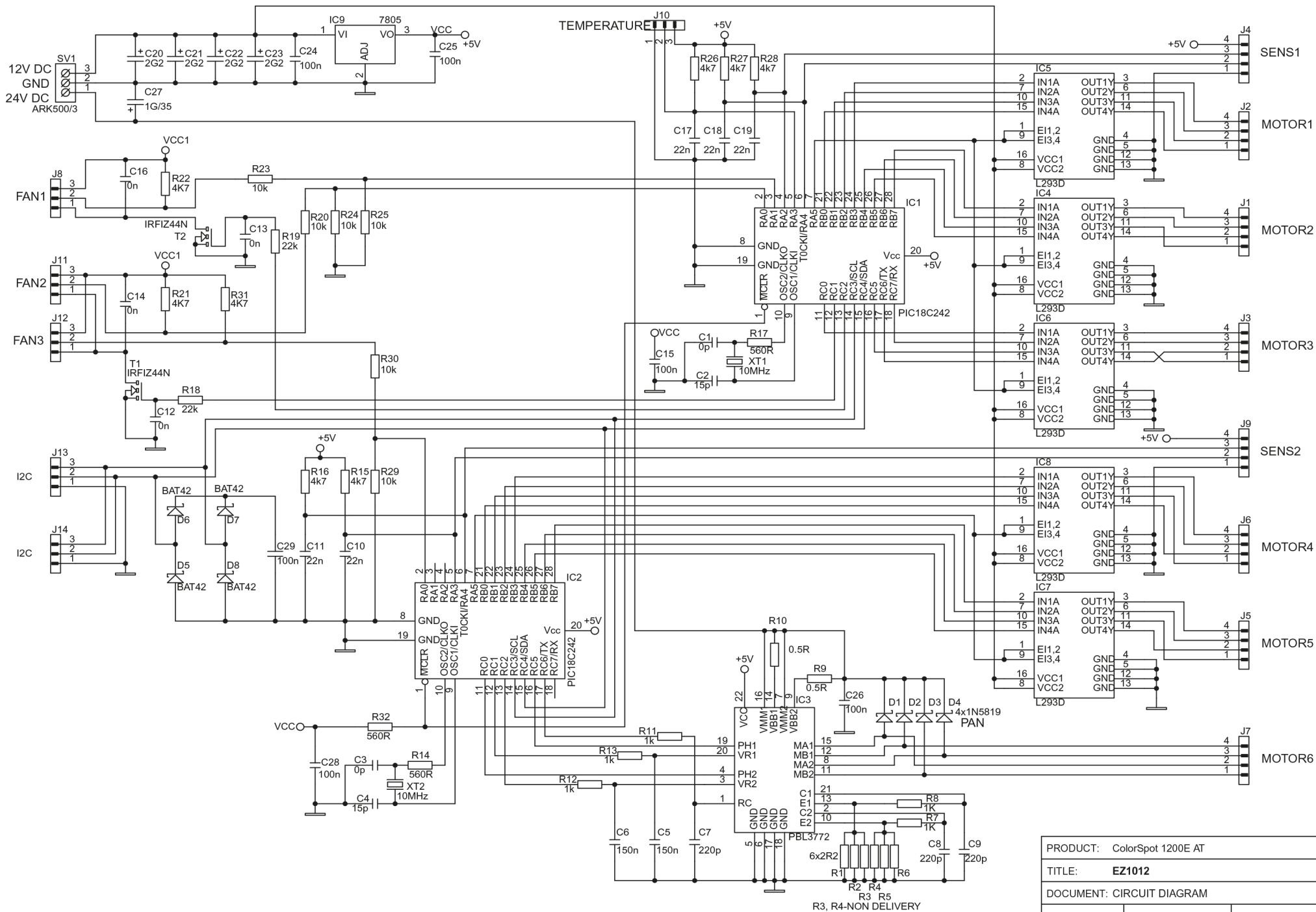
PRODUCT: ColorSpot 1200E AT		
TITLE: BLOCK OF MOTORS POS.2		
DOCUMENT: WIRING DIAGRAM		
VERSION: A	DATE: 5.5.2004	SHEET: 4 OF 8



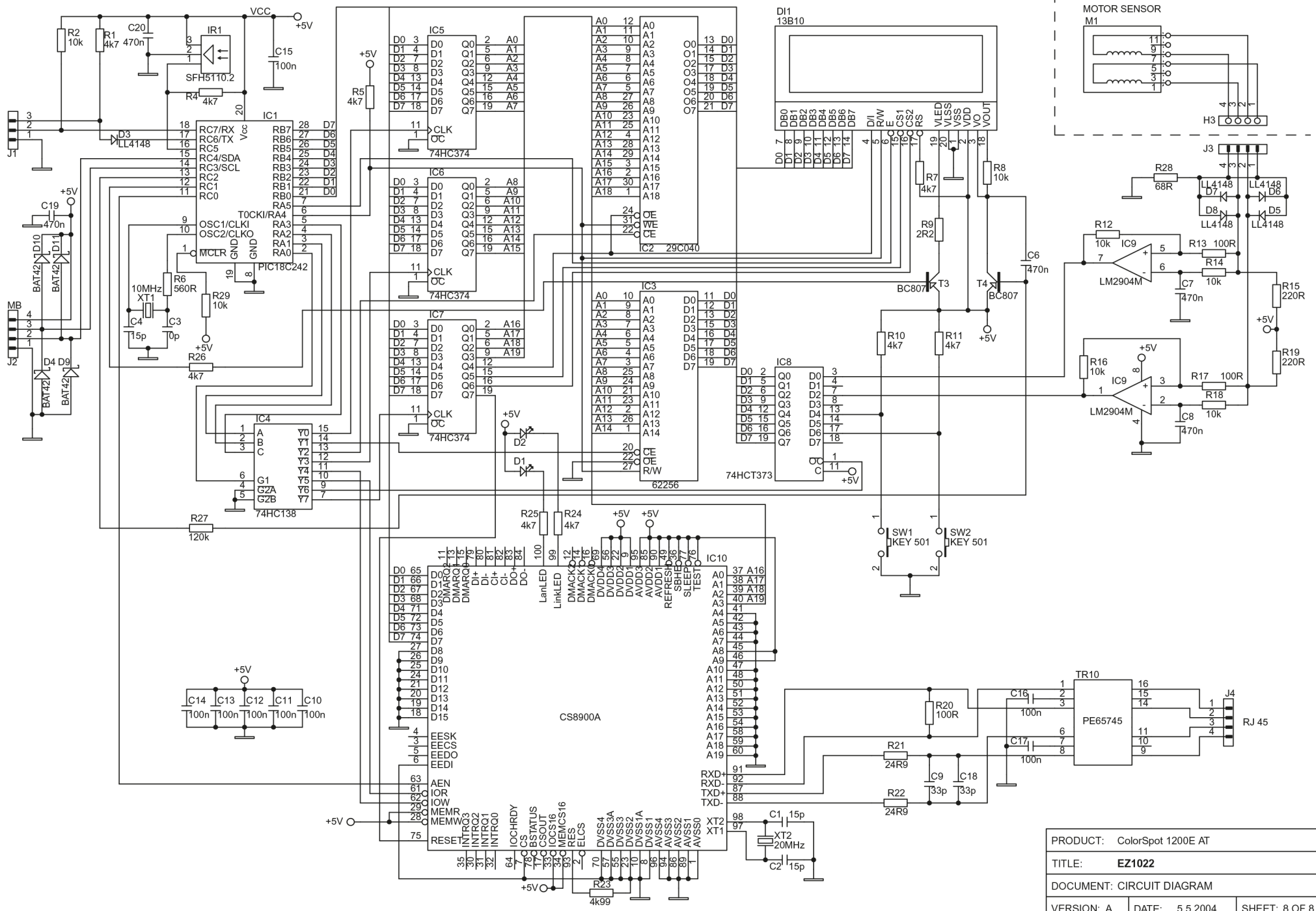
PRODUCT: ColorSpot 1200E AT		
TITLE: BLOCK OF MOTORS POS.3		
DOCUMENT: WIRING DIAGRAM		
VERSION: A	DATE: 5.5.2004	SHEET: 5 OF 8



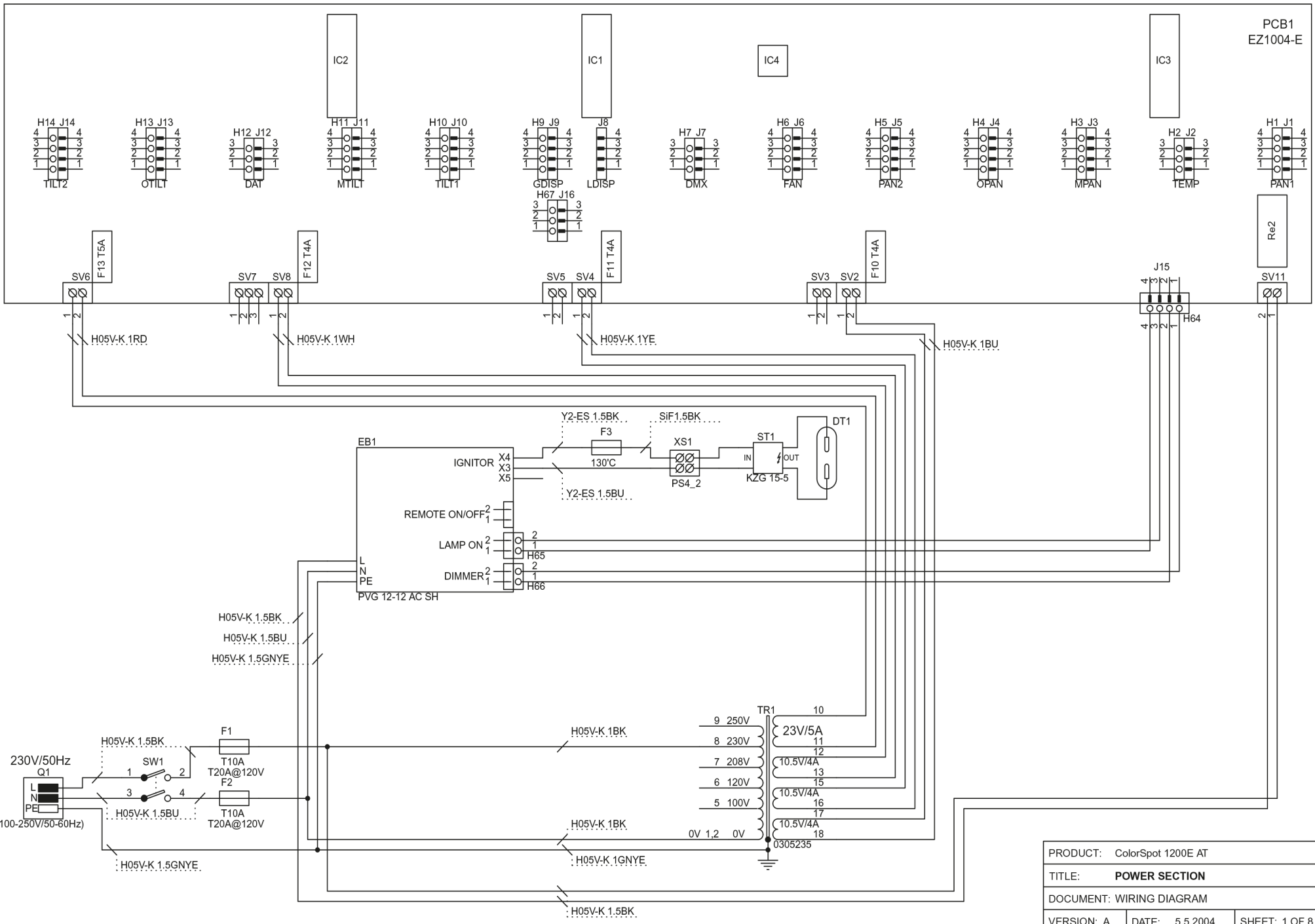
PRODUCT: ColorSpot 1200E AT		
TITLE: EZ1004 E		
DOCUMENT: CIRCUIT DIAGRAM		
VERSION: A	DATE: 5.5.2004	SHEET: 6 OF 8



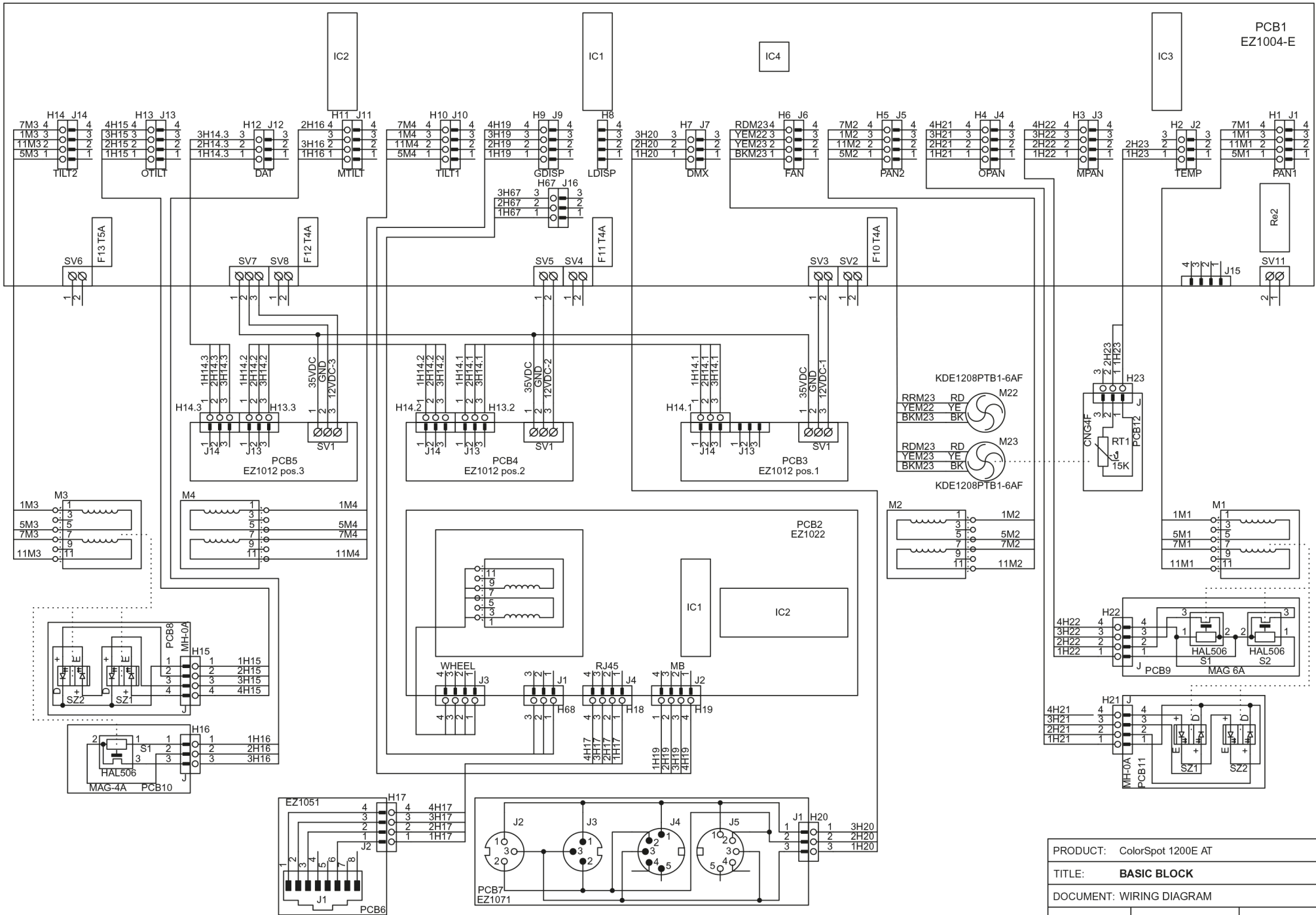
PRODUCT: ColorSpot 1200E AT		
TITLE: EZ1012		
DOCUMENT: CIRCUIT DIAGRAM		
VERSION: A	DATE: 5.5.2004	SHEET: 7 OF 8



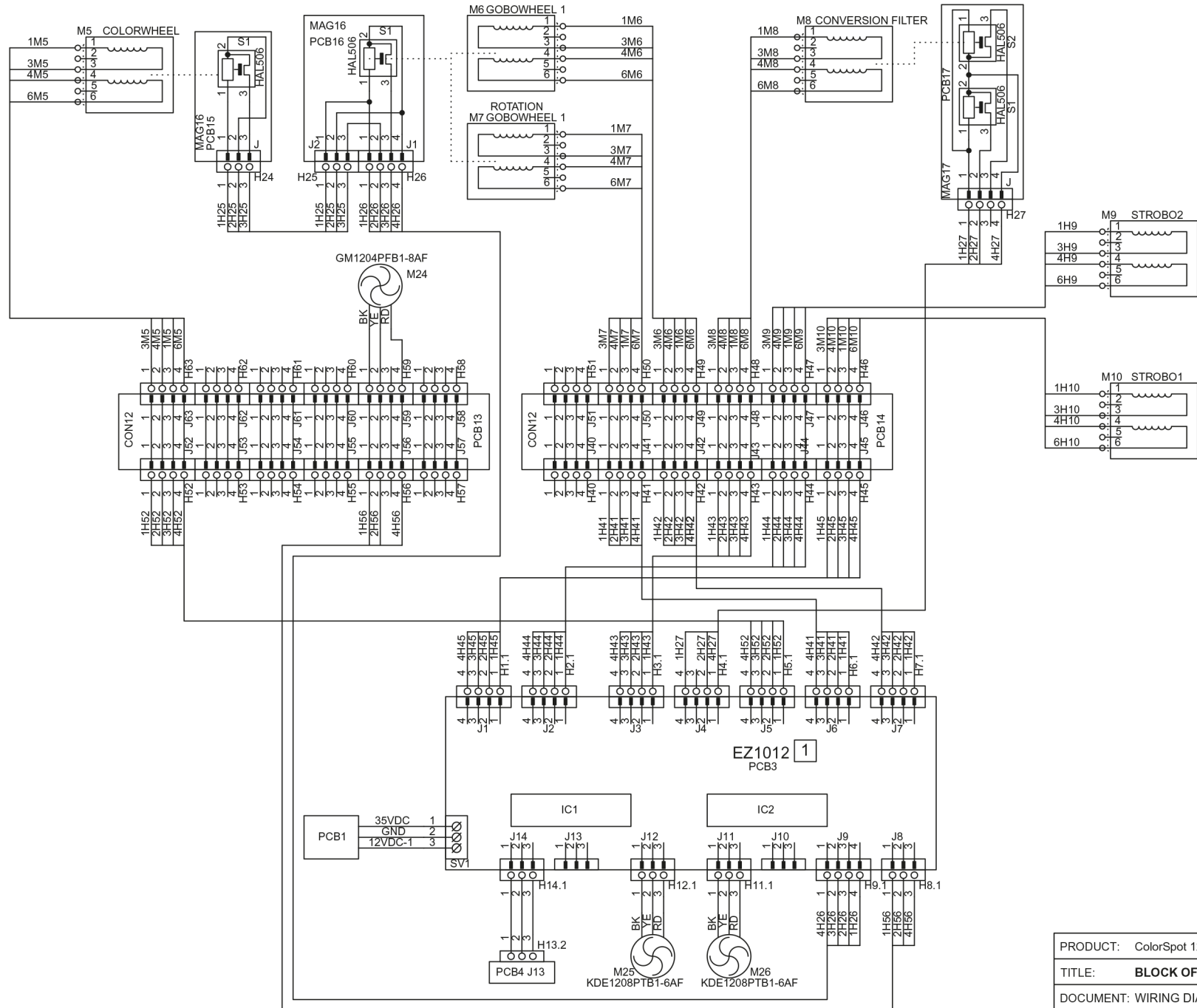
PRODUCT: ColorSpot 1200E AT		
TITLE: EZ1022		
DOCUMENT: CIRCUIT DIAGRAM		
VERSION: A	DATE: 5.5.2004	SHEET: 8 OF 8



PRODUCT: ColorSpot 1200E AT		
TITLE: POWER SECTION		
DOCUMENT: WIRING DIAGRAM		
VERSION: A	DATE: 5.5.2004	SHEET: 1 OF 8



PRODUCT: ColorSpot 1200E AT		
TITLE: BASIC BLOCK		
DOCUMENT: WIRING DIAGRAM		
VERSION: A	DATE: 5.5.2004	SHEET: 2 OF 8



PRODUCT: ColorSpot 1200E AT		
TITLE: BLOCK OF MOTORS POS.1		
DOCUMENT: WIRING DIAGRAM		
VERSION: A	DATE: 5.5.2004	SHEET: 3 OF 8